



BLDC 56 SERIES

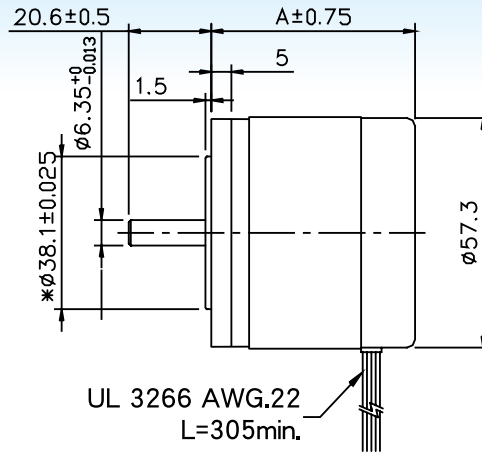
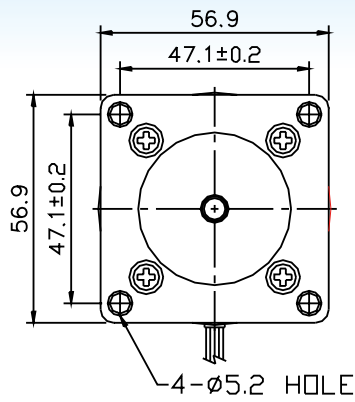
SPECIFICATION

| | UNIT | MODEL | | |
|-------------------------|-----------------------|------------|------------|------------|
| | | DBT566S32A | DBT566L31A | DBT566C31A |
| Rated Voltage | (VDC) | 24 | 24 | 24 |
| No-load speed | (RPM) | 4400 | 3700 | 3600 |
| Continue torque | (kgf-cm) | 1.93 | 2.85 | 3.77 |
| Continue Speed | (RPM) | 2700 | 2740 | 2800 |
| Continue Current | (A) | 3.75 | 5.5 | 6.5 |
| Output Power | (W) | 50 | 80 | 110 |
| Peak Torque | (kgf-cm) | 5.7 | 10.8 | 13.6 |
| Peak Current | (A) | 10 | 18.5 | 25.3 |
| Winding Resistance | (Ω) | 1.3 | 0.8 | 0.44 |
| Inductance | (mH) | 1.8 | 1.25 | 0.83 |
| Rotor Inertia | (g-cm ²) | 200 | 330 | 500 |
| Motor Weight | (Kg) | 0.6 | 1.1 | 1.5 |
| Environment Temperature | (° C) | -10~+60 | -10~+60 | -10~+60 |

● To customize motors, please contact with us or our agent.

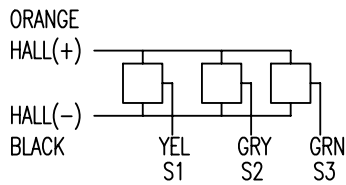
DIMENSION

DIMENSION (UNIT: mm)

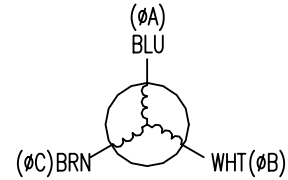


| DIM. TYPE | A |
|-----------|-------|
| S | 50.8 |
| L | 76.2 |
| C | 101.6 |

HALL SWITCHES

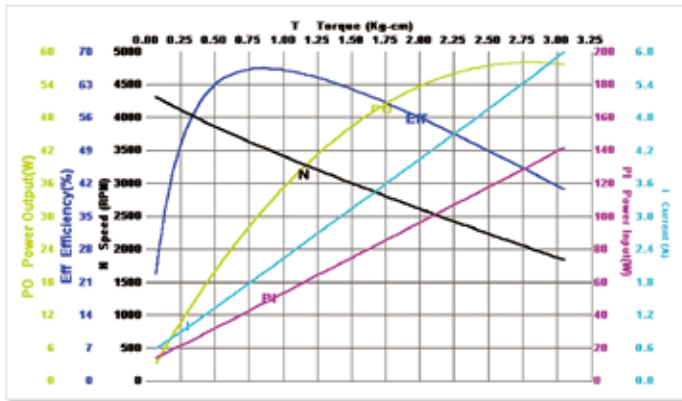


MOTOR SCHEMATIC

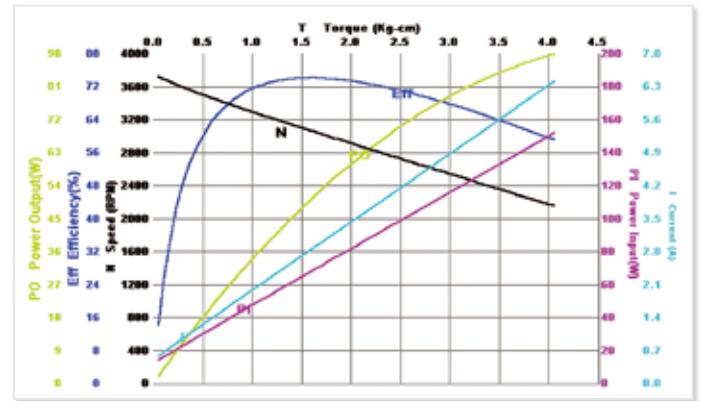


PERFORMANCE CURVE

DBT566S32A1000000 (DART 710A)



DBT566L31A1000000 (DART 710A)



DBT566C31A1000000 (DART 710A)

